

PARTS CATALOG

Boomer 35 Compact Tractor

Print No. 696001110PC
8/2016



PARTS CATALOG

Boomer 35 Compact Tractor

Print No. 696001110PC
8/2016



NEW HOLLAND

AGRICULTURE

All rights reserved by **CNH Industrial**.

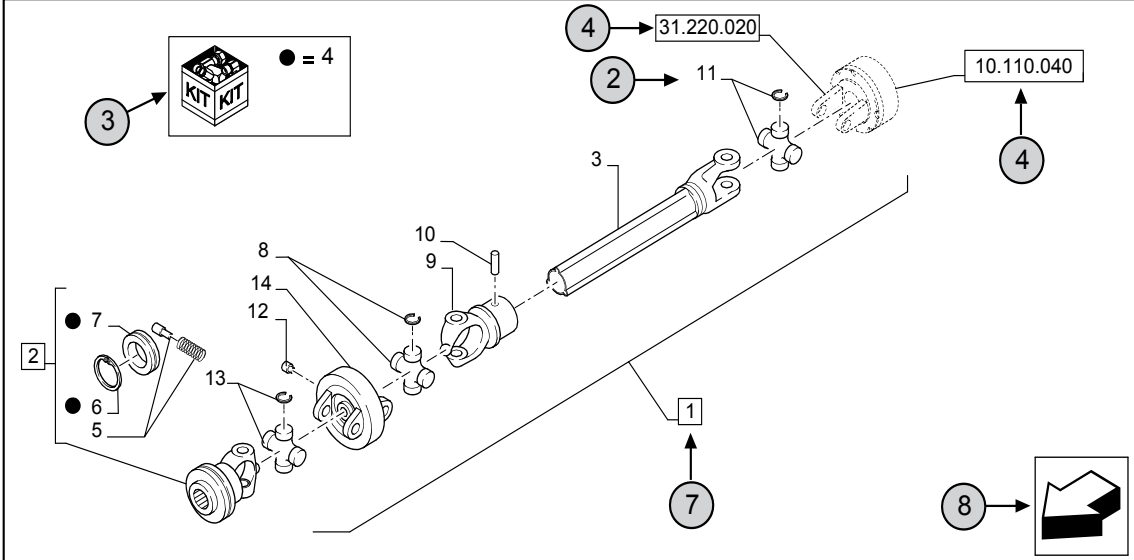
The information contained in this catalogue is intended to be of a general nature only. **CNH Industrial** may at any time and from time to time, for technical or other necessary reasons, modify any of the details or specifications of the product described in this catalogue.

To be sure of getting accurate, detailed and up-to-date information, an intending buyer should consult his nearest **CNH Industrial** dealer or distributor.

Single item numeration method used in this catalogue may not be used without written consent from **CNH Industrial**

31.220.010	01	p1	10/2014
------------	----	----	---------

VAR - 123782, 789101,987654 - PTO - D650



STANDARD ← (6)

(23)	(9)	(10)	31.220.010	01	p1	10/2014
------	-----	------	------------	----	----	---------

VAR - 123782, 789101,987654 - PTO - D650

(11) (12) (13) (14)

REF	FN	PART NUMBER	YR/SN	QTY	DESCRIPTION
1	1	86529340	(20)	1	SHAFT PTO, Incl 2 - 11
2	(15)	84014007		1	YOKE, Incl 4 - 7 ← (7)
3	(16)	NSS		1	NOT SERVICED SEPARATELY, SHAFT, 350mm, Incl in 1
4		84004292		1	KIT, Seal Kit, Incl 6, 7 ← (17)
4		{84058743}		1	KIT, Seal Kit, Incl 6, 7
(2)	(18)			(21)	
	(19)			(22)	
		1 = FOR ITALY ONLY ← (5)			

MODELS ← (1)


- 1 Model Number and Model Description
- 2 Reference - Figure call-out of the part number.
- 3 Parts supplied in repair kits per symbol reference.
- 4 31.220.020 Part illustrated on the **Page** or in the **Figure** indicated, or calls for **Variations** or **Details**. Indicates components shown in detail elsewhere in the catalogue under the figure number shown.
- 5 Footnote references
- 6 Figure notes
- 7 1 2 Includes item(s) (See Description within partlist).
- 8 Orientation. (Arrow indicates front of the machine). 
- 9 Figure description.
- 10 General information of the figure.
- 11 Figure title number that aligns with the SRT. Standard Repair Time.
- 12 **Sequence** code within the assembly.
- 13 Page number within the sequence code.
- 14 **Date** of printing or updating of page (month-year).
- 15 **Note** - Relating to the Part Number. There is a key to symbols and abbreviations at the bottom of the text page.
- 16 Non-serviced parts.
- 17 Further description of the part to help confirm identification.
- 18 Not available as service part.
- 19 Part Number.
- 20 To be defined.
- 21 Total **Quantity** of the Part referred to in the page.
The quantity can be replaced by the following indications:
AR = quantity as requested.
- 22 Part **Description**.
- 23 Variant Codes

TABLE OF CONTENTS

00.100.01		INITIAL STOCKING LIST (ISL) BOOMER 30 & 35
05.100.03	01	FILTERS, BOOMER 30 - 35
05.100.03	04	CAPACITIES, BOOMER 35
10.001.01		ENGINE
10.001.02		CYLINDER BLOCK - ASSY
10.001.03		CYLINDER BLOCK ASSEMBLY
10.001.04		OIL SEALS & OIL FILTER SHAFT
10.001.05		MAIN BEARING SET
10.001.06		DRIVE UNIT
10.001.07		OVERHAUL GASKET KIT
10.001.08		ENGINE FRAME
10.101.01		CYLINDER HEAD
10.101.02		CYLINDER HEAD
10.101.03		LIFTING EYE
10.102.01		TIMING GEAR CASE
10.102.02		OIL PAN
10.102.03		AIR BREATHER
10.103.01		CRANKSHAFT
10.103.02		CRANKSHAFT
10.103.03		FLYWHEEL HOUSING
10.103.04		FLYWHEEL HOUSING
10.103.05		FLYWHEEL - 12X12
10.103.07		FLYWHEEL - HST
10.105.01		PISTON
10.105.02		CONNECTION ROD
10.106.01		CAMSHAFT
10.106.01		VALVE MECHANISM
10.106.02		ROCKER COVER
10.106.05		TIMING GEARS
10.202.01		AIR CLEANER
10.206.01		FUEL FILTER
10.210.01		OIL STRAINER
10.216.01		FUEL TANK
10.218.01		FUEL SYSTEM

TABLE OF CONTENTS

10.218.02		FUEL PUMP & HOSES
10.220.01		ENGINE CONTROL ACCELERATOR LEVER & PEDAL
10.230.01		GOVERNOR
10.230.02		GOVERNOR
10.242.01		FUEL INJECTION PUMP
10.242.02		FUEL INJECTION PUMP
10.242.04		FUEL INJECTION PUMP SHAFT
10.242.07		FUEL PUMP CHECK VALVES & SHIMS
10.254.01		INLET & OUTLET MANIFOLD
10.254.02		EXHAUST MANIFOLD
10.254.03		MUFFLER
10.304.01		OIL PUMP
10.304.02		OIL FILTER, RELIEF VALVE & DIPSTICK
10.406.01		RADIATOR
10.414.01		COOLING SYSTEM
55.414.02		WATER TEMPERATURE GAUGE, DRAIN PLUG & OIL PRESSURE SWITCH
18.100.01		CLUTCH PEDAL - 12X12
18.110.01		CLUTCH - 12X12
21.110.01		CLUTCH HOUSING - 12X12
21.118.01		TRANSMISSION - 12X12
21.118.02		TRANSMISSION CASE - 12X12
21.118.03		TRANSMISSION CASE - HST
21.130.01		MAIN SHIFT LEVER, 4WD LEVER & FORK - 12X12
21.130.02		RANGE SHIFT LEVER, 4WD LEVER & FORKS - HST
21.130.03		FORWARD/REVERSE SHIFT LEVER & FORK - 12X12 (Jan 2 2012 2:44PM)
21.130.03	01	FORWARD/REVERSE SHIFT LEVER & FORK - 12X12 BOOMER 30
21.130.03	02	FORWARD/REVERSE SHIFT LEVER & FORK - 12X12 BOOMER 35
21.130.03	03	FORWARD/REVERSE SHIFT LEVER & FORK - 12X12 BOOMER 30 & 35
21.145.01		MAIN SHAFT - 12X12
21.148.01		RANGE GEAR SHAFT - 12X12
21.148.02		RANGE GEAR SHAFT - HST
21.148.03		PTO SHAFT - 12X12
21.148.04		PTO SHAFT - HST
21.148.05		PTO DRIVE SHAFT

TABLE OF CONTENTS

23.101.01		FRONT & REAR 4WD SHAFT
23.314.AH	01	FRONT DRIVE
25.101.01	01	FRONT AXLE
25.101.02	02	FRONT AXLE & DRIVE PINION
25.101.03	03	FRONT AXLE CASE
25.102.01		FRONT DIFFERENTIAL
25.108.01		FRONT DRIVE
27.100.02		REAR AXLE
27.106.01		REAR DIFFERENTIAL
27.106.02		DIFF-LOCK - 12X12
27.106.02		DIFF-LOCK - HST
29.130.01		DAMPER HST
29.200.01	01	HST PUMP - (USED ON & BSN - 2107013768)
29.200.01	01	HST PUMP - (USED ON & BSN 2109014283)
29.200.01	02	HST PUMP - (USED ON & ASN 2107013769)
29.200.01	02	HST PUMP - (USED ON & ASN 2109014284)
29.200.02		HYDROSTATIC PUMP, SEAL KIT
29.200.03		HYDROSTATIC PUMP, SERVICE KIT
29.204.01		COOLER - HST
29.300.01		TRANSMISSION - HST
33.120.01		BRAKE
33.120.02		BRAKE PEDALS - 12X12
33.120.03	01	BRAKE PEDALS - HST (USED ON & BEFORE 10/17/2009)
33.120.04		PARKING BRAKE LEVER
35.100.01		HYDRAULIC HOUSING ASSY - W/DRAFT CONTROL
35.100.02		HYDRAULIC HOUSING W/DRAFT CONTROL BREAKDOWN
35.100.03		LIFT CONTROL VALVE & LINK W/DRAFT CONTROL
35.100.04		DRAFT CONTROL LINK W/DRAFT
35.100.06		PTO VALVE ASSEMBLY
35.100.07		HYDRAULIC CYLINDER
35.100.08		UPPER LINK BRACKET W/O DRAFT
35.100.09		UPPER LINK BRACKET - W/DRAFT DEALER OPTION KIT
35.108.01		HYDRAULIC CONTROL LEVER W/DRAFT
35.120.04		LIFT ROD

TABLE OF CONTENTS

35.120.05		CHECK LINK - PIN & PLATE STYLE
35.120.06		CHECK LINK - PIN & BALL BUSHING STYLE
35.204.02		HYDRAULIC LINES , FILTER & SUCTION FILTER
35.204.03		W/O LOADER CONTROL VALVE
37.100.01		DRAWBAR HITCH - TELESCOPIC
37.100.07		DIA KIT, FRONT TOW HOOK - 710892016
41.204.01		STEERING WHEEL & COLUMN
41.216.01		STEERING CYLINDER & LINES
41.216.02		STEERING CYLINDER BREAKDOWN
41.216.03		TIE ROD
41.216.04	04	STEERING PUMP SEAL KIT
44.511.01		FRONT WHEELS
44.511.02		FRONT & REAR WHEEL HARDWARE
44.520.01		REAR WHEELS
55.100.01		ELECTRICAL WIRING
55.201.01		SOLENOID
55.201.02		STARTER
55.201.03		GLOW PLUG
55.301.01		ALTERNATOR
55.301.02		BATTERY
55.404.04		LAMP
55.404.04	01	TAIL LAMPS & REAR WORK LAMP
55.404.04	04	TAIL LAMP
55.414.01		WATER TEMPERATURE GAUGE, DRAIN PLUG & OIL PRESSURE SWITCH
55.418.01		INSTRUMENT PANEL, SWITCHES & RELAYS - 12X12
55.418.01	01	INSTRUMENT PANEL, GEARSHIFT (USED ON & BEFORE 03/31/2012)
55.418.01	02	INSTRUMENT PANEL, GEARSHIFT (USED ON & AFTER 04/01/2012)
55.418.02		INSTRUMENT PANEL, SWITCHES & RELAYS - HST
55.418.02		INSTRUMENT PANEL, SWITCHES & RELAYS - HST
88.090.10		SEAT ADJUSTMENT KNOB KIT
88.090.11		DIA KIT, TRACTOR, REAR VIEW MIRROR
88.100.01		DIA KIT, REAR REMOTE CONTROL VALVE #1 - 12X12 & HST - MT20117325
88.100.02		DIA KIT, REAR REMOTE CONTROL VALVE #2 - 12X12 & HST - MT20117318
88.100.03		DIA KIT, SIDE STEP - MT20119015

TABLE OF CONTENTS

88.100.04		DIA KIT, 2 FUNCTION MID MOUNT REMOTE HYDRAULIC VALVE
88.100.05		DIA KIT, MID PTO KIT - MT20022006
88.100.06		DIA KIT, RH FENDER GRIP/GRAB HANDLE - MT20119014
88.100.07		TOOLBOX
88.100.07	01	DIA KIT, TOOLBOX MOUNTING BRACKET - 710990076
88.100.08		DIA KIT, REAR COUNTERWEIGHT BRACKET - 718740016
88.100.09		DIA KIT, GRILLE GUARD KIT - 719849216
88.100.10		DIA KIT, FRONT END WEIGHTS - 710215016
88.100.11		DIA KIT, FRONT WEIGHT CARRIER - 718233006
88.100.12		DIA KIT, ENGINE BLOCK HEATER - 84317040
88.100.13		DIA KIT, FOPS CANOPY - 718857166 & 718857176
88.100.14		DIA KIT, WORKLIGHT KIT ROPS MOUNTED - 87702589
88.100.15		DIA KIT, 7-PIN CONNECTOR KIT - MT20119006
88.100.16		DIA KIT, UPPER LINK & DIA KIT, LOWER LINK - MT20117609
88.100.17		DIA KIT, DRAFT CONTROL LINK OPTION KIT - MT20117607
88.100.18		DIA KIT, SOFT CAB - 710660176
88.100.19		DIA KIT, TRANSMISSION IMMERSION HEATER - 84579328
90.100.01		HOOD
90.100.02		HOOD SUPPORT
90.100.03		HOOD CONSOLE & SIDE PANELS
90.108.01		DECALS
90.108.03		SLOW MOVING VEHICLE
90.114.01		FOLDABLE ROPS
90.116.01		FENDER, ASSY
90.118.01		STEPS & FLOOR MATS - 12X12
90.118.02		STEPS & FLOOR MATS - HST
90.120.01		SEAT, BLACK - 12X12
90.120.02		SEAT, BLACK - HST
90.120.03		SEAT - GRAY

SECTION INDEX

GENERAL & PICTORIAL INDEX

00.100.01

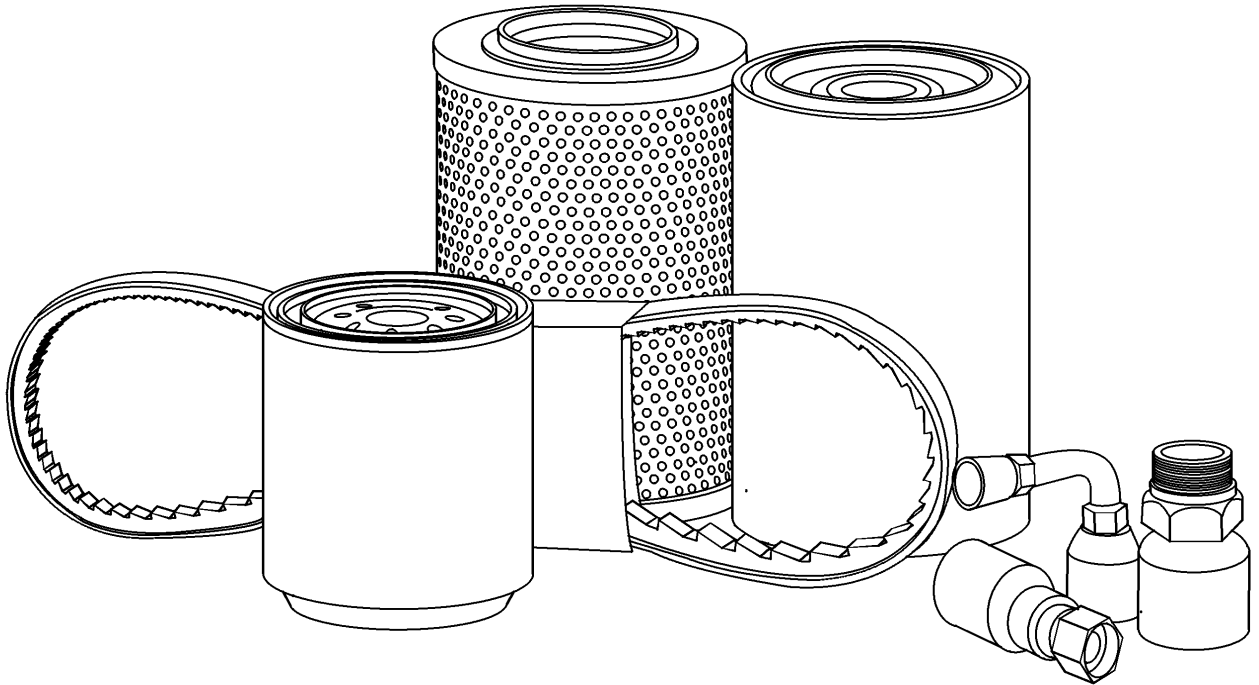
INITIAL STOCKING LIST (ISL) BOOMER 30 & 35

00.100.01

p1

8/2016

INITIAL STOCKING LIST (ISL) BOOMER 30 & 35



INITIAL STOCKING LIST (ISL) BOOMER 30 & 35

REF FN	PART NUMBER	YR/SN	QTY DESCRIPTION
	{LIST A}		Parts Required For Preventative Maintenance
1	MT40056451		5 ENGINE OIL FILTER
2	MT40007575		5 ELEMENT Primary
3	MT40049447		5 AIR FILTER Air Secondary
4	MT40007563		5 FILTER Hydraulic
5	MT40007638		5 HYDRAULIC OIL FILTER Inline Suction
6	MT40055759		2 BELT Fan
	{LIST B}		Parts Required For Preventative Maintenance And Basic Repair
7	MT40109253		1 GAUGE Dipstick
8	MT40185171		1 STARTER MOTOR
9	MT40109514		8 GLOW PLUG
10	MT40109286		1 ALTERNATOR
11	MT40189702		1 SOLENOID
12	MT40052872		1 TEMPERATURE SENDER Water
13	MT40109287		1 MFD SWITCH Oil
14	MT40181431		1 FUEL GAUGE
15	MT40006786		1 CAP Fuel
16	MT40224801		1 RADIATOR HOSE Upper, Outlet
17	MT40224802		1 RADIATOR HOSE Lower, Inlet
18	MT40007443		1 GAUGE Transmission Dipstick
19	MT40186104		5 FUSE Main, 50A
20	MT40194373		1 SWITCH Combination
21	MT40185307		1 SWITCH PTO Select
22	MT40007119		1 IGNITION SWITCH
23	MT40007187		1 SWITCH PTO Start
24	MT40012887		1 MFD SWITCH 12V, 5A Brake Light
25	MT40230107		1 RELAY Flasher Unit
26	MT40007175		1 RELAY Start

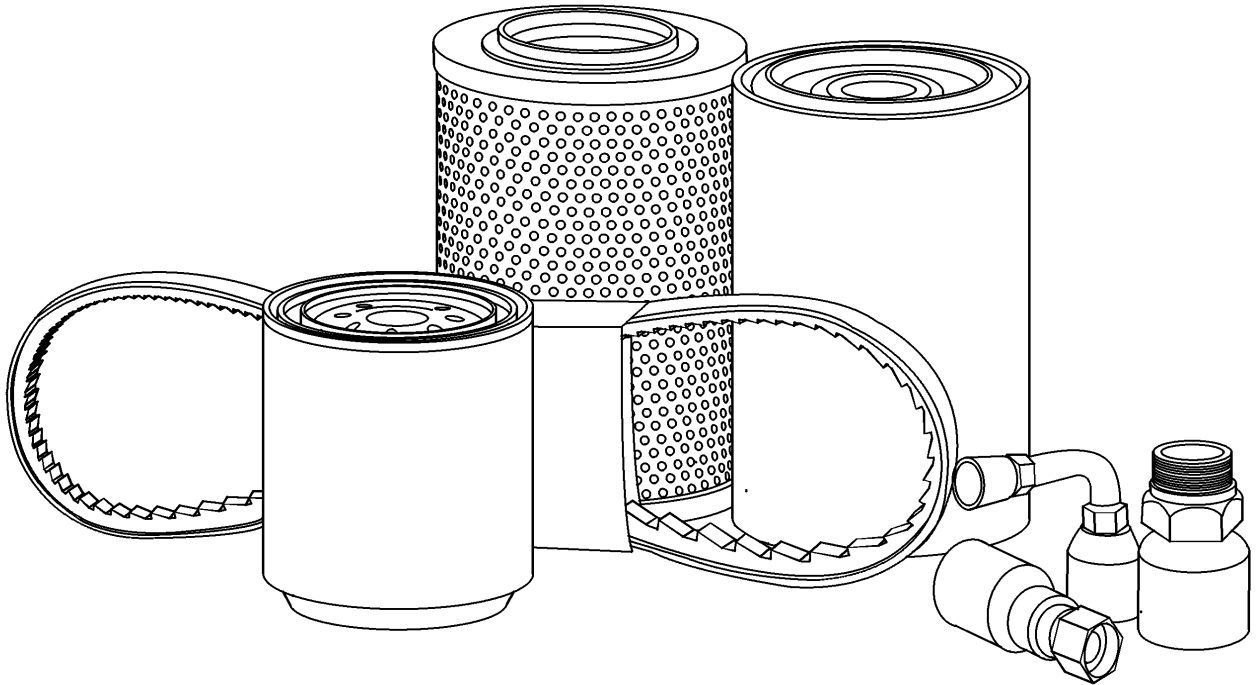
BOOMER 35-COMPACT TRACTOR 12X12 OR HST

00.100.01

p2

8/2016

INITIAL STOCKING LIST (ISL) BOOMER 30 & 35



INITIAL STOCKING LIST (ISL) BOOMER 30 & 35

REF FN	PART NUMBER	YR/SN	QTY DESCRIPTION
27	MT40007122		1 RELAY Engine Stop
28	MT40196911		1 FLASHER UNIT
29	MT40229786		1 ALARM Buzzer
30	MT40007191		1 RELAY 12V, 70A Glow
31	MT40229995		1 SWITCH Shuttle Lever
31 1	MT40263400		1 SWITCH Shuttle Lever
32	MT40227334		1 LH HEADLAMP 12V
33	MT40227335		1 RH HEADLAMP 12V
34	MT40007202		5 BULB 12V, 21/5W
35	MT40152755		5 BULB
36	MT40007023		1 TAIL LAMP RH
37	MT40007067		1 TAIL LAMP LH
38	MT40189711		1 CAP Oil Fill
39	MT40050179		1 CRUISE ON/OFF SWITCH
40	MT20021323		1 LAMP Turn
41	MT40059363		5 BULB
42	MT40007024		1 LAMP Combination
43	MT40007207		5 BULB 12V, 21W
44	MT40059365		5 BULB Headlamp
(1)	USED ON & ABOVE PIN # 2107013638-BOOMER 30, 2109014176-BOOMER 35		

BOOMER 35-COMPACT TRACTOR 12X12 OR HST

SECTION INDEX

SERVICE & MAINTENANCE

05.100.03	01	FILTERS, BOOMER 30 - 35
05.100.03	04	CAPACITIES, BOOMER 35

**Thanks very much for your reading,
Want to get more information,
Please click here, Then get the complete
manual**

JustClickHere 

NOTE:

**If there is no response to click on the link above,
please download the PDF document first, and then
click on it.**

**Have any questions please write to me:
admin@servicemanualperfect.com**